

All-in-one solar charge inverter

User Manual



Product models:

BSM-5500BLV-48DA

Important safety instructions

Please keep this manual for future use.

This manual contains all safety, installation and operating instructions for the BSM Series all-in-one solar charge inverter.

Please read all instructions and precautions in the manual carefully before installation and use.

- Non-safety voltage exists inside the all-in-one solar charge inverter. To avoid personal injury, users shall not disassemble the all-in-one solar charge inverter themselves. Contact our professional maintenance personnel if there is a need for repair.
- Do not place the all-in-one solar charge inverter within the reach of children.
- Do not install the all-in-one solar charge inverter in harsh environments such as moist, oily, flammable or explosive, or heavily dusty areas.
- The mains input and AC output are high voltage, so please do not touch the wiring terminals.
- The housing of the all-in-one solar charge inverter is hot when it is working. Do not touch it.
- Do not open the terminal protective cover when the all-in-one solar charge inverter is working.
- It is recommended to attach proper fuse or circuit breaker to the outside of the all-in-one solar charge inverter.
- Always disconnect the fuse or circuit breaker near the terminals of PV array, mains and battery before installing and adjusting the wiring of the all-in-one solar charge inverter.
- After installation, check that all wire connections are tight to avoid heat accumulation due to poor connection, which is dangerous.
- The all-in-one solar charge inverter is off-grid. It is necessary to confirm that it is the only input device for load, and it is forbidden to use it in parallel with other input AC power to avoid damage.

CONTENTS

| | |
|--|-----------|
| 1. GENERAL INFORMATION | 4 |
| 1.1 PRODUCT OVERVIEW AND FEATURES | 4 |
| 1.2 BASIC SYSTEM INTRODUCTION | 5 |
| 1.3 APPEARANCE | 6 |
| 1.4 DIMENSION DRAWING | 7 |
| 2. INSTALLATION INSTRUCTIONS | 8 |
| 2.1 INSTALLATION PRECAUTIONS | 8 |
| 2.2 WIRING SPECIFICATIONS AND CIRCUIT BREAKER SELECTION | 9 |
| 2.3 INSTALLATION AND WIRING | 11 |
| 2.4 PARALLEL MACHINE WIRE CONNECTION | 17 |
| 2.4.1 INTRODUCTION | 17 |
| 2.4.2 PRECAUTIONS FOR CONNECTING THE PARALLEL CONNECTING LINES | 17 |
| 2.4.3 SCHEMATIC DIAGRAM OF PARALLEL CONNECTION IN SINGLE PHASE | 19 |
| 2.4.4 SCHEMATIC DIAGRAM OF PARALLEL CONNECTION IN SPLIT PHASE | 22 |
| 3. OPERATING MODES | 28 |
| 3.1 CHARGING MODE | 28 |
| 3.2 OUTPUT MODE | 29 |
| 4. LCD SCREEN OPERATING INSTRUCTIONS | 30 |
| 4.1 OPERATION AND DISPLAY PANEL | 30 |
| 4.2 SETUP PARAMETERS DESCRIPTION | 34 |
| 4.3 BATTERY TYPE PARAMETERS | 40 |
| 5. OTHER FUNCTIONS | 42 |
| 5.1 DRY CONTACT | 42 |
| 5.2 RS485 COMMUNICATION PORT | 42 |
| 5.3 USB COMMUNICATION PORT | 42 |
| 5.4 PARALLEL COMMUNICATION FUNCTION (PARALLEL OPERATION ONLY) | 43 |
| 5.5 CURRENT SHARING DETECTION FUNCTION (PARALLEL OPERATION ONLY) | 43 |
| 6. PROTECTION | 44 |
| 6.1 PROTECTIONS PROVIDED | 44 |
| 6.2 FAULT CODE | 46 |
| 6.3 HANDLING MEASURES FOR PART OF FAULTS | 50 |
| 7. TROUBLESHOOTING | 51 |
| 8. TECHNICAL PARAMETERS | 52 |

1. General information

1.1 Product overview and features

BSM series is a new all-in-one hybrid solar charge inverter, which integrates solar energy storage & means charging energy storage and AC sine wave output. Thanks to DSP control and advanced control algorithm, it has high response speed, high reliability and high industrial standard. Four charging modes are optional, i.e. Only Solar, Mains Priority, Solar Priority and Mains & Solar hybrid charging; and two output modes are available, i.e. Inverter and Mains, to meet different application requirements.

The solar charging module applies the latest optimized MPPT technology to quickly track the maximum power point of the PV array in any environment and obtain the maximum energy of the solar panel in real time.

Through a state of the art control algorithm, the AC-DC charging module realizes fully digital voltage and current double closed loop control, with high control precision in a small volume. Wide AC voltage input range and complete input/output protections are designed for stable and reliable battery charging and protection.

Based on full-digital intelligent design, the DC-AC inverter module employs advanced SPWM technology and outputs pure sine wave to convert DC into AC. It is ideal for AC loads such as household appliances, power tools, industrial equipment, and electronic audio and video equipment. The product comes with a segment LCD design which allows real-time display of the operating data and status of the system. Comprehensive electronic protections keep the entire system safer and more stable.

Features:

1. Full digital voltage and current double closed loop control, advanced SPWM technology, output of pure sine wave.
2. Two output modes: mains bypass and inverter output; uninterrupted power supply.
3. Available in 4 charging modes: Only Solar, Mains Priority, Solar Priority and Mains & Solar hybrid charging.
4. Advanced MPPT technology with an efficiency of 99.9%.
5. Designed with a LCD screen and 3 LED indicators for dynamic display of system data and operating status.
6. ON/OFF rocker switch for AC output control.
7. Power saving mode available to reduce no-load loss.
8. Intelligent variable speed fan efficiently dissipate heat and extend system life.
9. Lithium battery activation by PV solar or mains, allowing access of lead-acid battery and lithium battery.
10. 360 ° all-around protection with a number of protection functions.
11. Complete protections, including short circuit protection, over voltage and under voltage protection, overload protection, reverse protection, etc.

1.2 Basic system introduction

The figure below shows the system application scenario of this product. A complete system consists of the following parts:

1. PV module: Convert light energy into DC power, and charge the battery through the all-in-one solar charge inverter, or directly invert into AC power to drive the load.

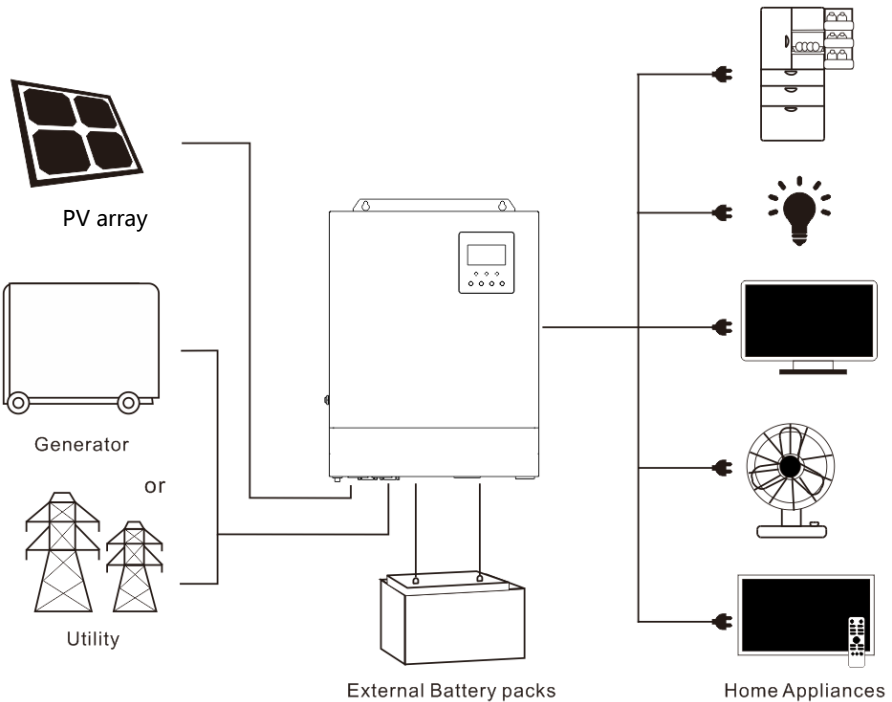
2. Mains or generator: Connected at the AC input, to power the load while charging the battery. If the mains or generator is not connected, the system can also operate normally, and the load is powered by the battery and PV module.

3. Battery: Provided to ensure normal power supply to the system loads when solar energy is insufficient and the Mains is not connected.

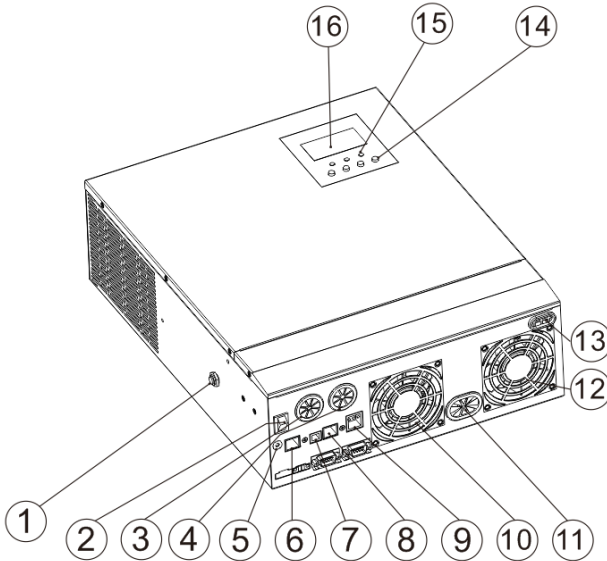
4. Household load: Allow connection of various household and office loads, including refrigerators, lamps, TVs, fans and air conditioners.

5. All-in-one solar charge inverter: The energy conversion unit of the whole system.

Specific system wiring method depends on the actual application scenario.

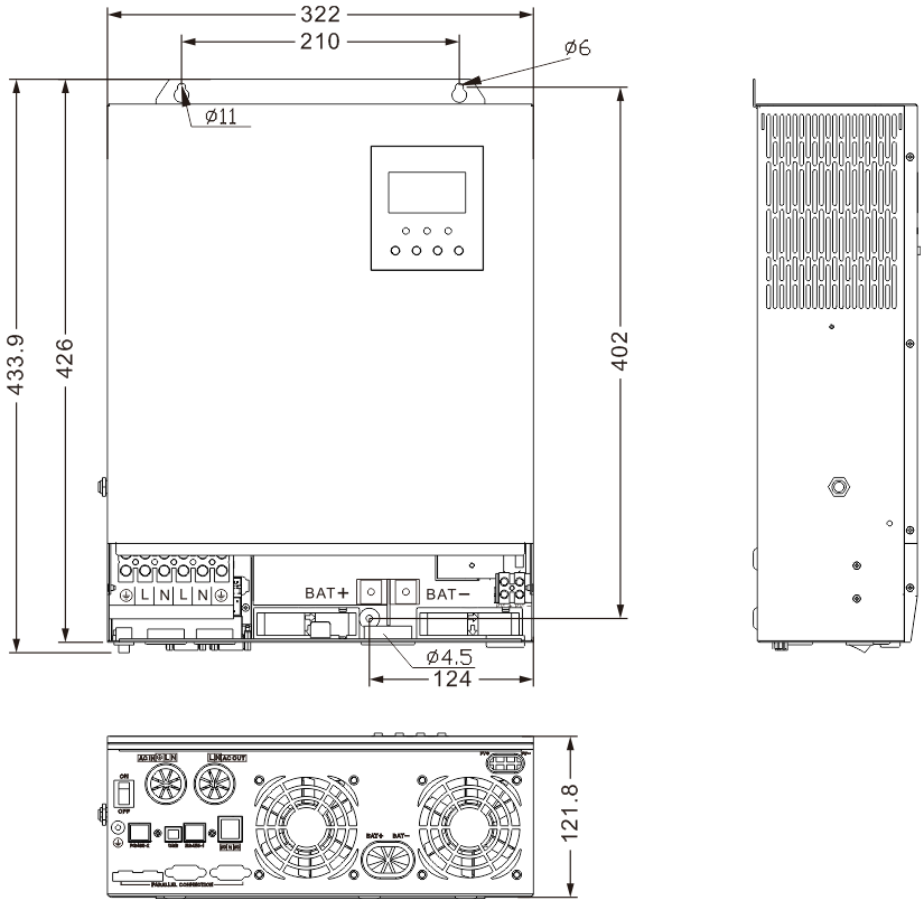


1.3 Appearance



| | | | |
|---|---|---|----------------------------|
| ① | Overload protector | ⑩ | RS485-1 communication port |
| ② | ON/OFF rocker switch | ⑪ | Dry contact port |
| ③ | AC input port | ⑫ | Cooling fan |
| ④ | AC output port | ⑬ | Battery port |
| ⑤ | Grounding screw hold | ⑭ | Cooling fan |
| ⑥ | RS485-2 communication port | ⑮ | PV port |
| ⑦ | Current sharing port (parallel module only) | ⑯ | Function key |
| ⑧ | Parallel communication port (parallel module only) | ⑰ | Indicator light |
| ⑨ | USB communication port | ⑱ | LCD screen |

1.4 Dimension drawing



2. Installation instructions

2.1 Installation precautions

Please read this manual carefully prior to installation to familiarize yourself with the installation steps.

- Be very careful when installing the battery. Wear safety goggles when installing a lead-acid liquid battery. Once coming into contact with the battery acid, rinse with clean water timely.
- Do not place metal objects near the battery to prevent short-circuit of the battery.
- Acid gas may be generated when the battery is charged. So, please ensure good ventilation.
- When installing the cabinet, be sure to leave enough space around the all-in-one solar charge inverter for heat dissipation. Do not install the all-in-one solar charge inverter and lead-acid battery in the same cabinet to avoid corrosion by acid gas generated during battery operation.
- Only the battery that meets the requirements of the all-in-one unit can be charged.
- Poorly connected connections and corroded wires may cause great heat which will melt the wire insulation, burn the surrounding materials, and even cause fires. So, make sure the connectors have been tightened, and the wires are secured with ties to avoid looseness of connections caused by shaking of wires during mobile application.
- The system connection wires are selected according to a current density of not more than 5 A/mm².
- Avoid direct sunlight and rainwater infiltration for outdoor installation.
- Even after the power is turned off, there is still high voltage inside the unit. Do not open or touch the internal components, and avoid related operations until the capacitor completely discharges.
- Do not install the all-in-one solar charge inverter in harsh environments such as moist, oily, flammable or explosive, or heavily dusty areas.
- Polarity at the battery input end of this product shall not be reversed, otherwise it may damage the device or cause unpredictable danger.
- The mains input and AC output are high voltage, so please do not touch the wiring terminals.
- When the fan is working, do not touch it to prevent injury.
- Load equipment input power needs to confirm that this all-in-one solar charge inverter is the only input device, and it is forbidden to use in parallel with other input AC power to avoid damage. It is necessary to confirm that the solar charge inverter is the only input device for load equipment, and it is forbidden to use it in parallel with other input AC power to avoid damage.

2.2 Wiring specifications and circuit breaker selection

Wiring and installation must comply with national and local electrical codes.

Recommended PV array wiring specifications and circuit breaker selection: Since the output current of the PV array is affected by the type, connection method and illumination angle of the PV module, the minimum wire diameter of the PV array is calculated according to its short-circuit current; refer to the short-circuit current value in the PV module specification (the short-circuit current is constant when the PV modules are connected in series; the short-circuit current is the sum of the short-circuit currents of all PV modules connected in parallel); the short-circuit current of the PV array shall not exceed the maximum input current.

- **Refer to the table below for PV input wire diameter and switch:**

| Models | Recommended PV wiring diameter | Maximum PV input current | Recommended circuit breaker type |
|------------------|--------------------------------|--------------------------|----------------------------------|
| BSM-5500BLV-48DA | 6mm ² /10AWG | 22A | 2P—25A |

Note: The voltage in series shall not exceed the maximum PV input open circuit voltage.

- **Refer to the table below for recommended AC input wire diameter and switch:**

| Models | Recommended AC input wiring diameter | Maximum bypass input current | Recommended circuit breaker type |
|------------------|--------------------------------------|------------------------------|----------------------------------|
| BSM-5500BLV-48DA | 10mm ² /7AWG | 40A | 2P—40A |

Note: There is already an appropriate circuit breaker at the Mains input wiring terminal, so it is not necessary to add one more.

➤ **Recommended battery input wire diameter and switch selection**

| Models | Recommended battery wiring diameter | Rated battery discharge | Maximum charge current | Recommended circuit breaker type |
|------------------|--|--------------------------------|-------------------------------|---|
| BSM-5500BLV-48DA | 30mm ² /2AWG | 125A | 80A | 2P—160A |

➤ **Recommended AC output wiring specifications and circuit breaker selection**

| Models | Recommended AC output wiring | Rated inverter AC output | Maximum bypass output current | Recommended circuit breaker type |
|------------------|-------------------------------------|---------------------------------|--------------------------------------|---|
| BSM-5500BLV-48DA | 10mm ² /7AW | 24A | 40A | 2P—40A |

Note: The wiring diameter is for reference only. If the distance between the PV array and the all-in-one solar charge inverter or the distance between the all-in-one solar charge inverter and the battery is relatively long, using a thicker wire can reduce the voltage drop to improve system performance.

Note: The above are only recommended wiring diameter and circuit breaker. Please select the appropriate wiring diameter and circuit breaker according to actual situations.

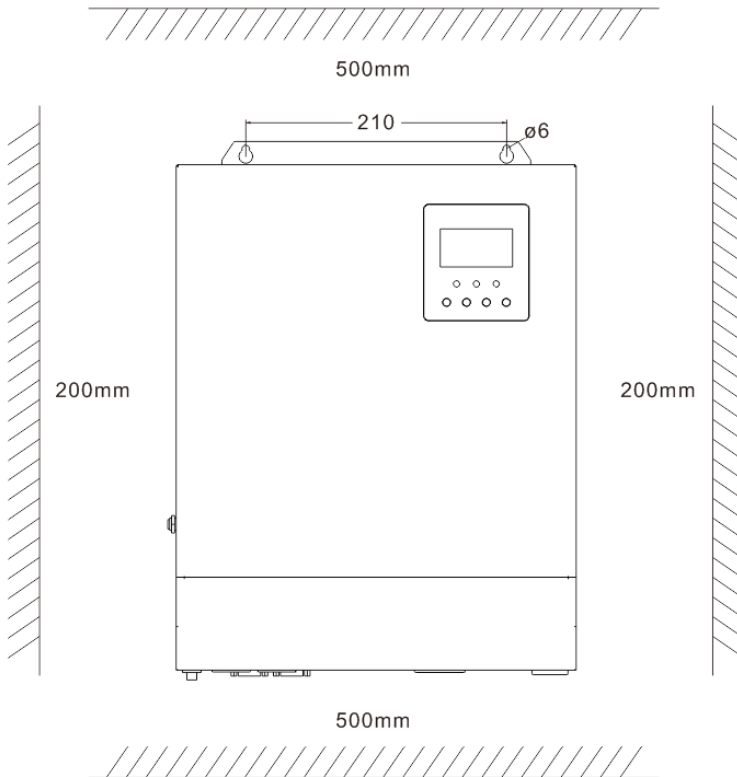
2.3 Installation and wiring

Installation steps :

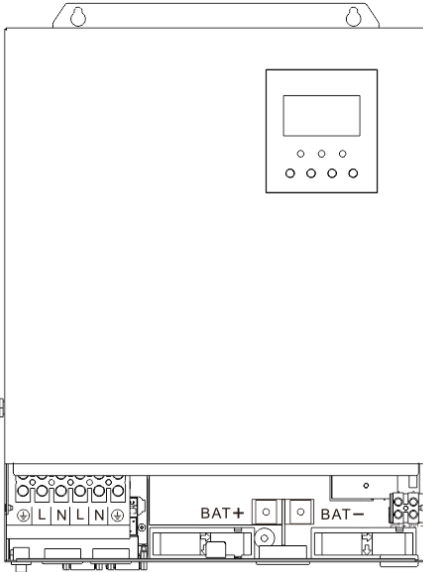
Step 1: Determine the installation position and the space for heat dissipation. Determine the installation position of the all-in-one solar charge inverter, such as wall surface; when installing the all-in-one solar charge inverter, ensure that there is enough air flowing through the heat sink, and space of at least 200mm to the left and right air outlets of the inverter shall be left to ensure natural convection heat dissipation. Refer to the installation diagram of the whole machine as above.



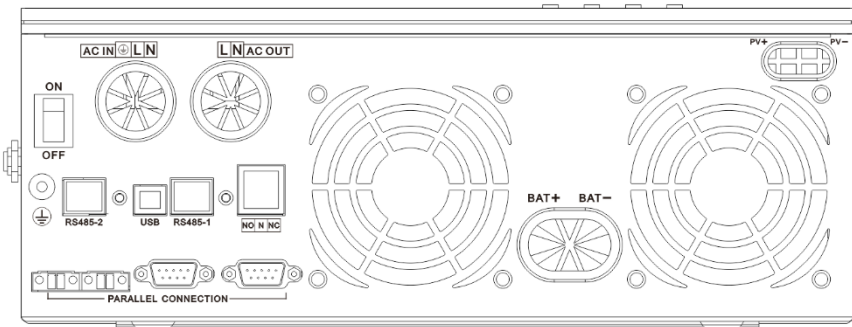
Warning: Danger of explosion! Never install the all-in-one solar charge inverter and lead-acid battery in the same confined space! Also do not install in a confined place where battery gas may collect.



Step 2: Remove the terminal cover



Step3: Wiring



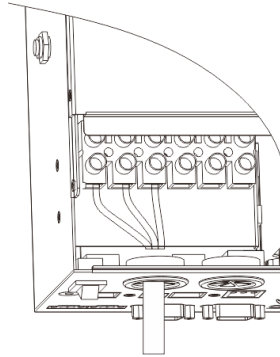
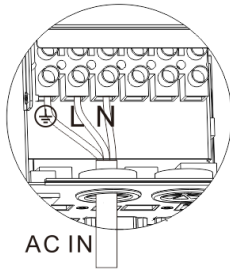
AC input / output wiring method:

- ① Prior to AC input/output wiring, opening the external circuit breaker and confirm that the wire used is thick enough. Please refer to Section 2.2 "Wiring Specifications and Circuit Breaker Selection" ;
- ② Properly connect the AC input wire according to the wire sequence and terminal position shown in the figure below. Please connect the ground wire first, and then the live wire and the neutral wire;

⊕ : Ground

L : Live

N : Neutral

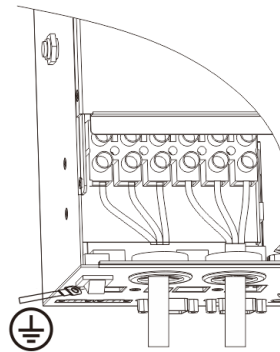
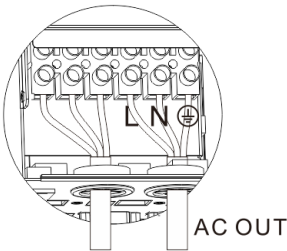


- ③ Properly connect the AC output wire according to the wire sequence and terminal position shown in the figure below. Please connect the ground wire first, and then the live wire and the neutral wire. The ground wire is connected to the grounding screw hole on the cabinet through the O-type terminal.

⊕ : Ground

L : Live

N : Neutral



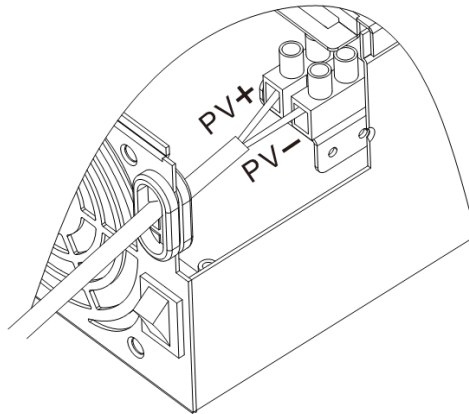
Note: The grounding wire shall be as thick as possible (cross-sectional area is not less than 4mm²). The grounding point shall be as close as possible to the all-in-one solar charge inverter. The shorter the grounding wire, the better.

PV input wiring method:

- ① Prior to wiring, disconnect the external circuit breaker and confirm that the wire used is thick enough. Please refer to Section 2.2 "Wiring Specifications and Circuit Breaker Selection" ;
- ② Properly connect the PV input wire according to the wire sequence and terminal position shown in the figure below.

PV+: PV input positive pole

PV-: PV input negative pole

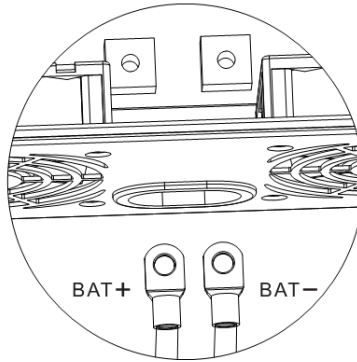


BAT wiring method:

- ① Prior to wiring, disconnect the external circuit breaker and confirm that the wire used is thick enough. Please refer to Section 2.2 "Wiring Specifications and Circuit Breaker Selection" . The BAT wire needs to be connected to the machine through the O-type terminal. The O-type terminal with an inner diameter of 5 mm is recommended. The O-type terminal shall firmly press the BAT wire to prevent excessive heat generation caused by excessive contact resistance;
- ② Properly connect the BAT wire according to the wire sequence and terminal position shown in the figure below.

BAT+: Battery positive electrode

BAT-: Battery negative electrode

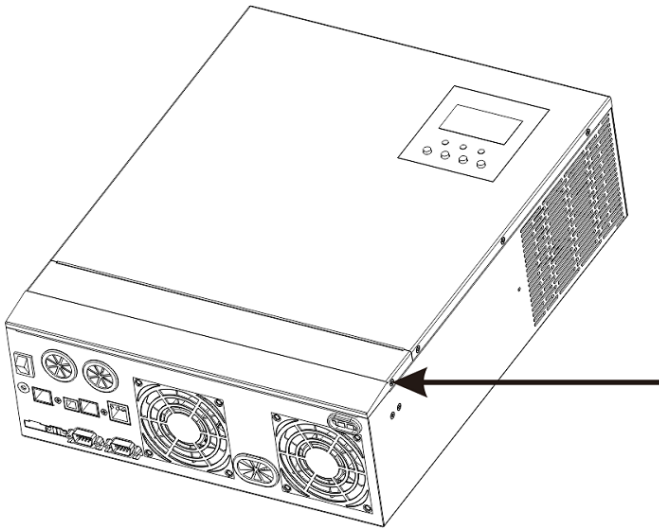


Warnings:

- ① Mains input, AC output and PV array will generate high voltage. So, before wiring, be sure to opening the circuit breaker or fuse;
- ② Be very careful during wiring; do not close the circuit breaker or fuse during wiring, and ensure that the "+" and "-" pole leads of each component are connected properly; a circuit breaker must be installed at the battery terminal. Refer to Section 2.2 "Wiring Specifications and Circuit Breaker Selection" to select a right circuit breaker. Before wiring, be sure to disconnect the circuit breaker to prevent strong electric sparks and avoid battery short circuit; if the all-in-one solar charge inverter is used in an area with frequent lightning, it is recommended to install an external lightning arrester at the PV input terminal.

Step 4: Check if the wiring is correct and firm. In particular, check if the battery polarity is reversed, if the PV input polarity is reversed and if the AC input is properly connected.

Step 5: Install the terminals cover.

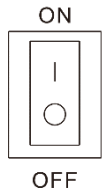


Step 6: Turn on the all-in-one solar charge inverter

First, close the circuit breaker at the battery terminal, and then turn the rocker switch on the left side of the machine to the "ON" state. The "AC/INV" indicator flashing indicates that the inverter is working normally. Close the circuit breakers of the PV array and the Mains. Finally, turn on AC loads one by one as the AC output is normal to avoid a protection action caused by a large momentary shock due to simultaneous turning on the loads simultaneously. Now, the machine goes into a normal operation according to the set mode.

Note: If power is supplied to different AC loads, it is recommended to first turn on the load with a large surge current. After the load is stable, turn on the load with a small surge current.

Note: If the all-in-one solar charge inverter does not work properly or the **LCD** or indicator is abnormal, refer to Chapter 6 to handle the exceptions.



2.4 Parallel machine wire connection

2.4.1 Introduction

1. Up to six units connected in parallel.
2. When using the parallel operation function, the following connecting lines (package accessories) shall be firmly and reliably connected:

DB15 Parallel communication line*1:

Current sharing detection line*1:



2.4.2 Precautions for connecting the parallel connecting lines

Warning: 

1. **Battery wiring:**

Parallel connection in single or split phase: Ensure that all all-in-one solar charger inverters are connected to the same battery, with BAT + connected to BAT +, BAT - connected to BAT -, and that the connection is correct with the same wiring length and line diameter before power on and start-up, so as to avoid the abnormal operation of parallel system output caused by wrong connection.

2. **AC OUT wiring:**

Parallel connection in single phase: Ensure L-to-L, N-to-N and PE-to-PE connection for all all-in-one solar charger inverters, and that the connection is correct with the same wiring length and line diameter before power on and start-up, so as to avoid the abnormal operation of parallel system output caused by wrong connection. For specific wiring, please refer to 2.4.3 Wiring Diagram

Parallel connection in split phase: Ensure N-to-N and PE-to-PE connection for all all-in-one solar charger inverters. The **L** lines of all inverters connected to the same phase need to be connected together. But **L** lines of different phases cannot be joined together. Other

connection precautions are the same as parallel connection in single phase. For specific wiring, please refer to 2.4.4 Wiring Diagram

3. **AC IN wiring:**

Parallel connection in single phase: Ensure L-to-L, N-to-N and PE-to-PE connection for all all-in-one solar charger inverters, and that the connection is correct with the same wiring length and line diameter before power on and start-up, so as to avoid the abnormal operation of parallel system output caused by wrong connection. Meanwhile, it is not allowed to have multiple different AC source inputs to avoid damage to the external equipment of the inverter. The consistency and uniqueness of AC source input shall be ensured. For specific wiring, please refer to 2.4.3 Wiring Diagram.

Parallel connection in split phase: Ensure N-to-N and PE-to-PE connection for all all-in-one solar charger inverters. The **L** lines of all inverters connected to the same phase need to be connected together. But **L** lines of different phases cannot be joined together. Other connection precautions are the same as parallel connection in single phase. For specific wiring, please refer to 2.4.4 Wiring Diagram.

4. **Wiring of parallel communication line:**

Parallel connection in single or split phase: Our company's parallel communication line is a DB15 standard computer cable with shielding function. Ensure the "one-in-one-out" rule when connecting each inverter, that is, connect the male connector (out) of this inverter with the female connector (in) of the inverter to be paralleled. Do not connect the male connector of the inverter to its female connector. In addition, make sure to tighten the parallel communication line of each inverter with self-contained end screws of DB15 to avoid the abnormal operation or damage of the system output caused by the falling off or poor contact of the parallel communication line.

5. **Wiring of current sharing detection line:**

Parallel connection in single phase: Our company's current sharing detection line is a twisted connection line. Ensure the "one-in-one-out" rule when connecting each inverter, that is, connect the current sharing line of the inverter with the current sharing green port of the

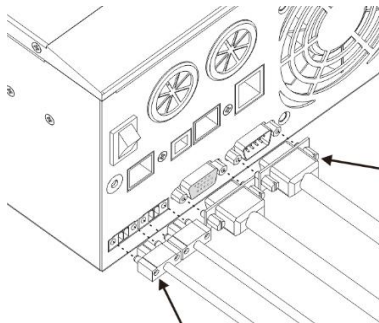
inverter to be paralleled (choose one port from the two, and there is no mandatory sequence requirement). The current sharing ports of the inverter cannot be connected to each other. In addition, make sure that the red and black current sharing connection lines of each inverter are not manually exchanged, and make sure to tighten the lines with self-contained screws to avoid the abnormal operation or damage of the system output caused by abnormal parallel current sharing detection. For specific wiring, please refer to 2.4.3 Wiring Diagram.

Parallel connection in split phase: The current sharing detection lines of all inverters connected to the same phase need to be connected together. But the current sharing detection lines of different phases cannot be joined together. Other connection precautions are the same as parallel connection in single phase. For specific wiring, please refer to 2.4.4 Wiring Diagram.

6. Before or after connecting the system, please carefully refer to the following system wiring diagram to ensure that all wiring is correct and reliable before power on.
7. After the system is wired, powered on and in normal operation, if a new inverter needs to be connected, make sure to disconnect the battery input, PV input, AC input and AC output, and that all all-in-one solar charger inverters are powered off before reconnecting into the system.

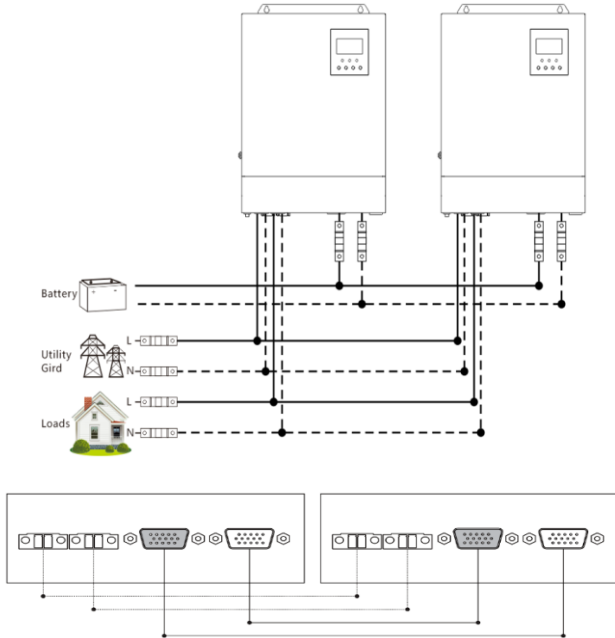
2.4.3 Schematic diagram of parallel connection in single phase

1. The parallel communication line and current sharing detection line of the all-in-one solar charger inverter need to be locked with screws after connecting. The schematic diagram is as follows:

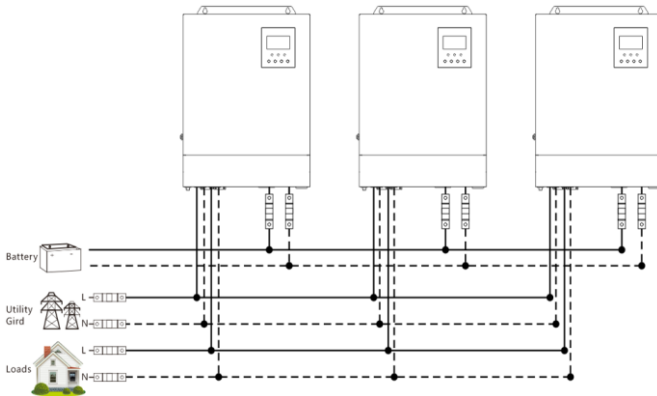


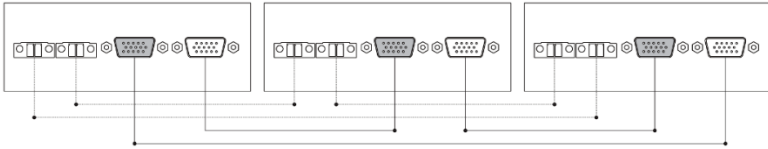
2. In case of parallel operation with multiple inverters, the schematic diagram of parallel connection is as follows:

a) Two all-in-one solar charge inverters of the system connected in parallel:

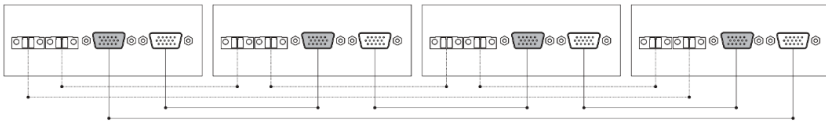
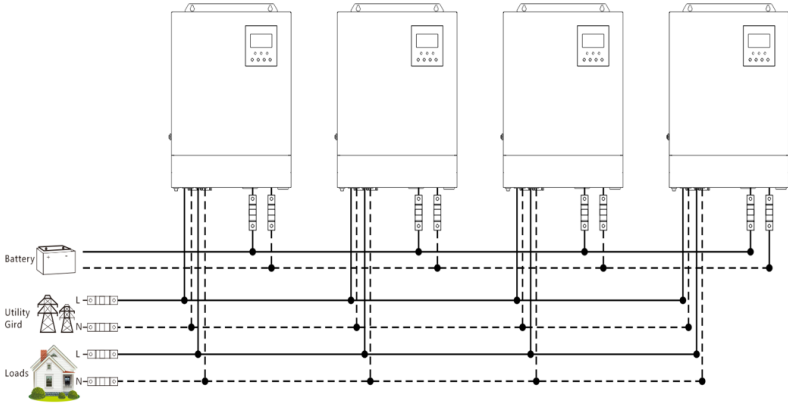


b) Three all-in-one solar charge inverters of the system connected in parallel:

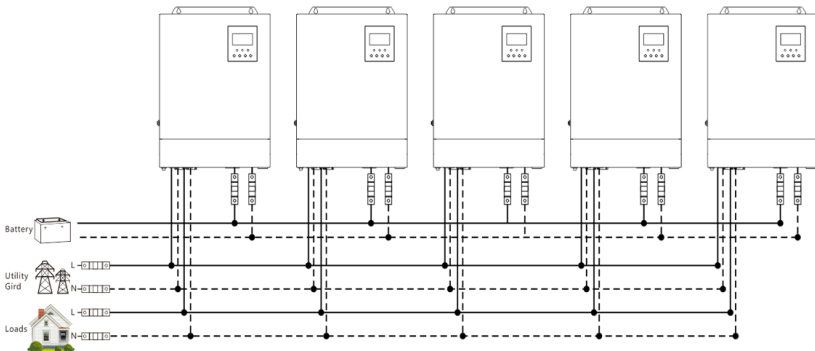


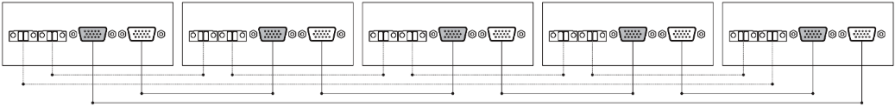


c) Four all-in-one solar charge inverters of the system connected in parallel:

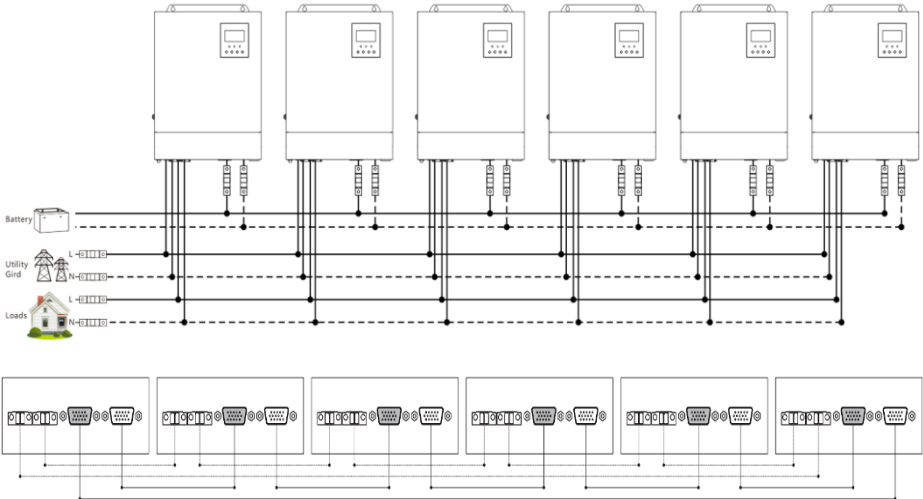


d) Five all-in-one solar charge inverters of the system connected in parallel:



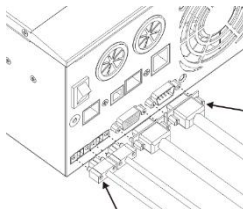


e) Six all-in-one solar charger inverters of the system connected in parallel:



2.4.4 Schematic diagram of parallel connection in split phase

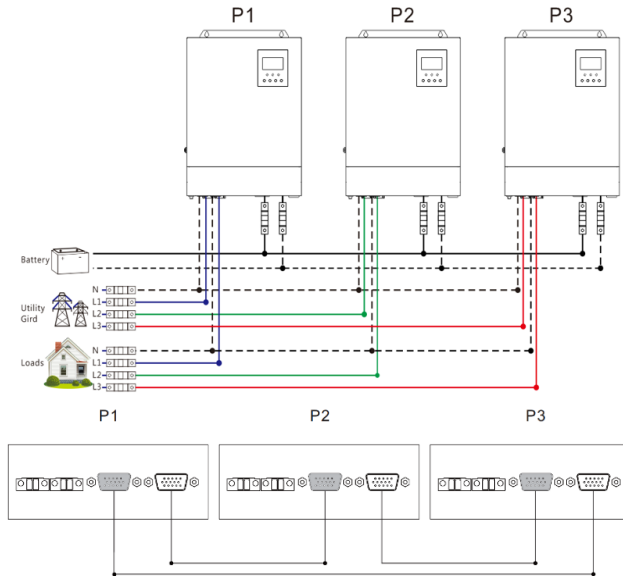
1. The parallel communication line and current sharing detection line of the all-in-one solar charge inverter need to be locked with screws after connecting. The schematic diagram is as follows:



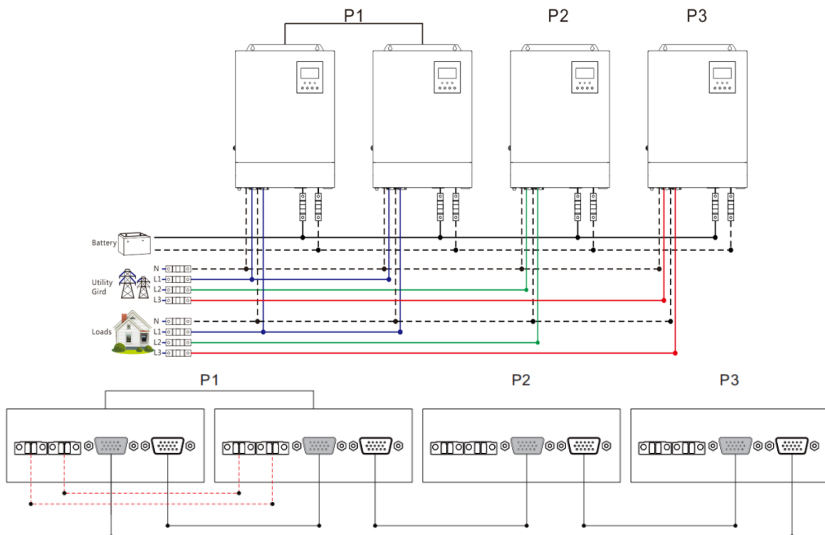
2. In case of parallel operation with multiple inverters, the schematic diagram of parallel connection is as follows:

Parallel Operation in three phase :

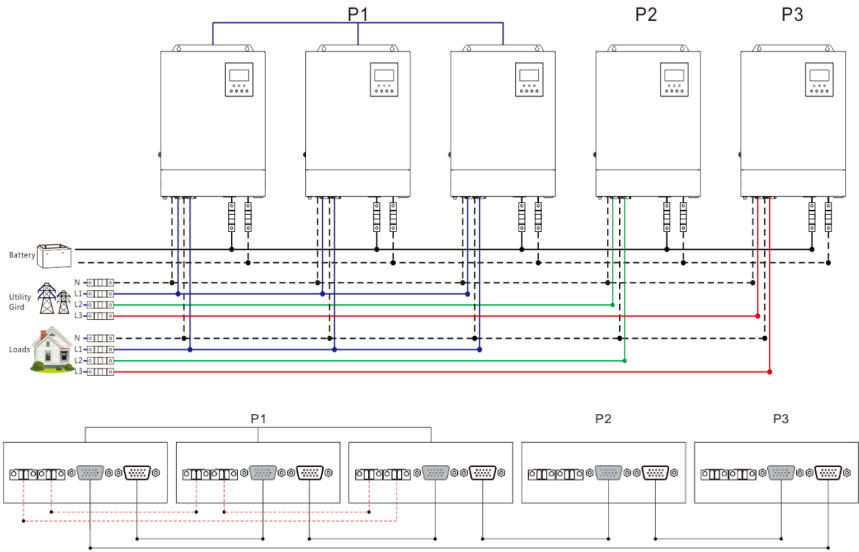
- a) **Three all-in-one solar charge inverters of the system connected in three phase: 1+1+1 system:**



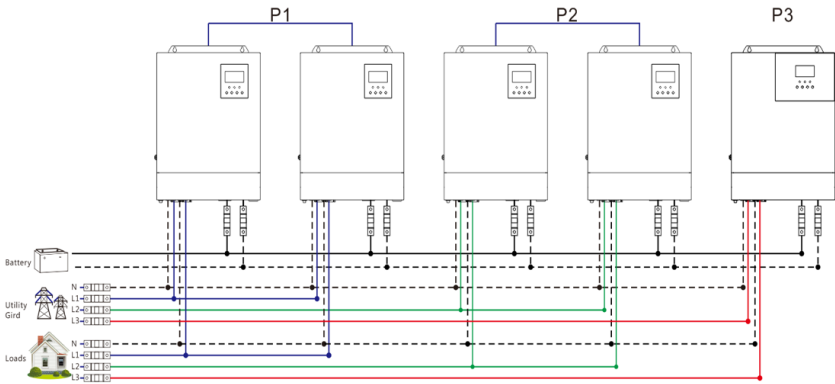
- b) **Four all-in-one solar charge inverters of the system connected in three phase: 2+1+1 system:**

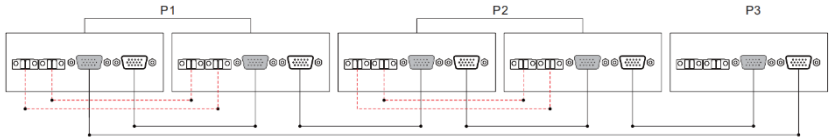


**c) Five all-in-one solar charge inverters of the system connected in three phase:
3+1+1 system:**

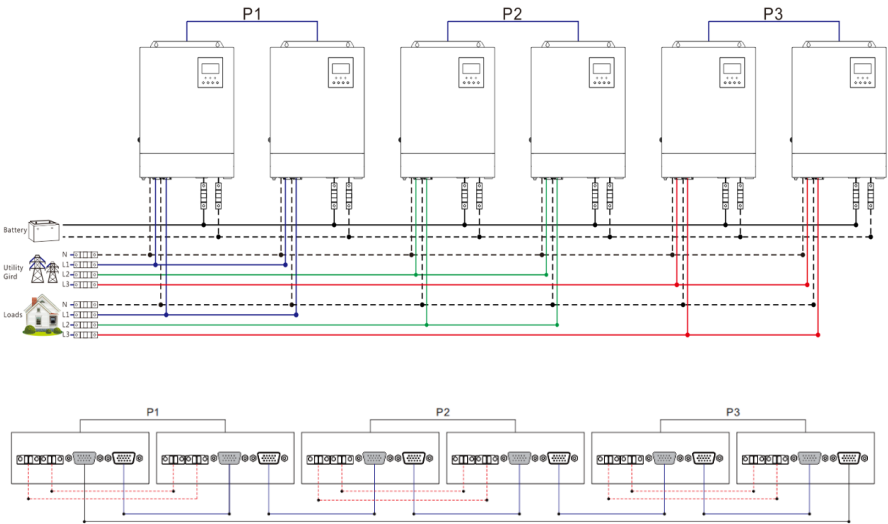


2+2+1 system:

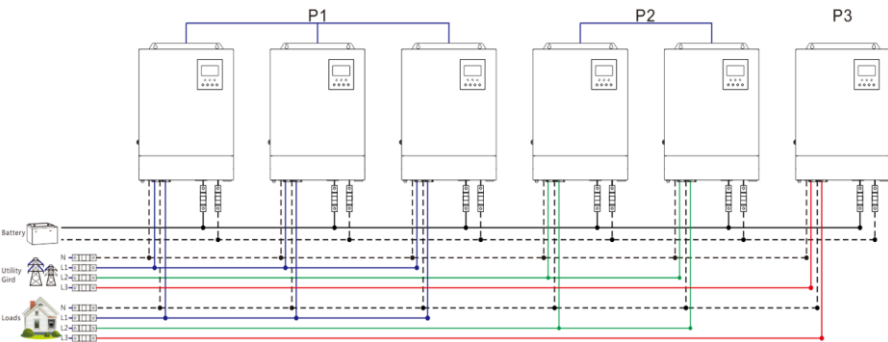


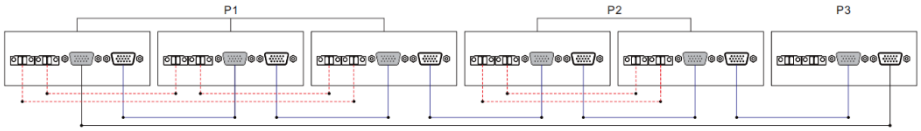


**d) Six all-in-one solar charge inverters of the system connected in three phase:
2+2+2 system:**

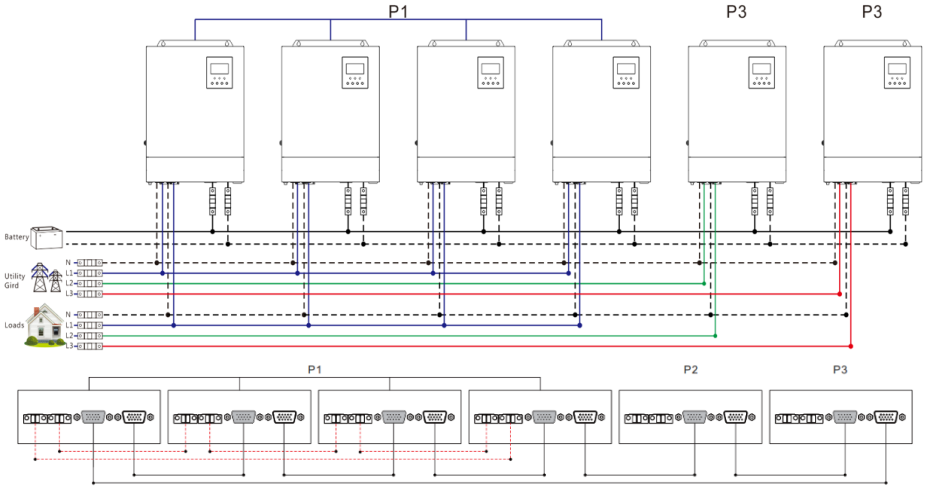


3+2+1 system:





4+1+1 system:



Note:

- 1) Before starting up and running, please check whether the connection was correct to avoid any abnormalities in the system.
- 2) All wiring must be fixed and reliable to avoid wire drop during use.
- 3) When the AC output is wired to the load, it shall be properly wired according to the requirements of the electrical load equipment to avoid damage to the load equipment.
- 4) Settings [38] need to be set consistently or only for the host. When the machine is running, the voltage set by the host shall prevail, and the master will force the rewrite of the other slave machines to keep the same set. Only can be set in the standby mode.
- 5) When using parallel or split phase separation function, the [31] setting items need to be set accordingly.

Parallel Operation in three phase:

The [31] setting item :

All connected P1-phase inverters are set to "3P1" ;

All connected P2-phase inverters are set to "3P2" ;

All connected P3-phase inverters are set to "3P3" ;

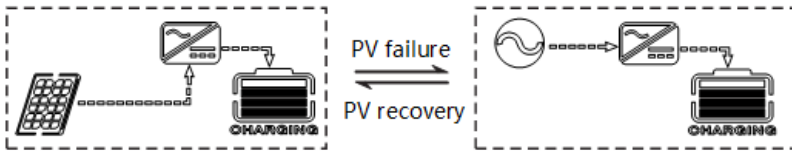
When the parameter [38] setting item=230 for S series model. Phase difference between each live wire is 120 degrees, each line-to-line voltage (L1-L2/L1-L3/L2-L3) is $230 \times 1.732 = 398\text{Vac}$; Each phase voltage is 230Vac (L1-N; L2-N; L3-N).

- 6) When the phase sequence is set [31] on the screen, the setting one is turned on to set, and the other machines are turned off. One by one set. Finally, power off and start up again.
- 7) After the system runs, the output voltage is measured correctly, and then the load setting is connected.

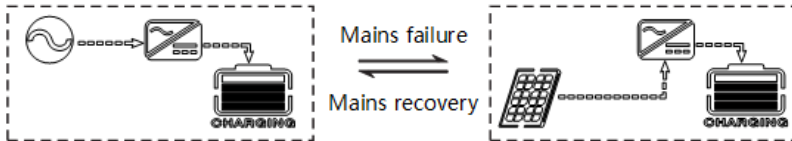
3. Operating modes

3.1 Charging mode

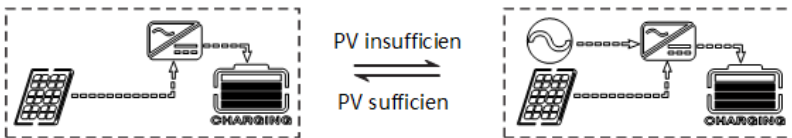
- 1) **PV priority:** PV module will charge the battery preferentially, and the battery is charged by the Mains only when the PV system fails. During the day, solar energy is fully used to charge, while at night, it converts to the Mains. This can maintain battery level, and is ideal for areas where the grid is relatively stable and electricity price is relatively high.



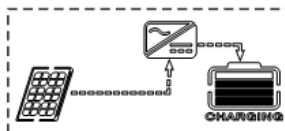
- 2) **Mains priority:** The Mains supply is preferentially used to charge the battery. Only when the Mains fails, the PV charging can be activated.



- 3) **Hybrid charging:** PV and mains hybrid charging. PV MPPT charging is a priority, and when PV energy is insufficient, the mains supply supplements. When the PV energy is sufficient again, the mains stops charging. This is the fastest charging mode, suitable for the areas where power grid is unstable, providing sufficient backup power supply at any time.



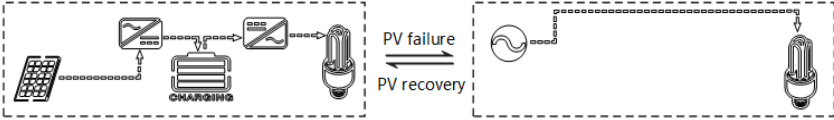
- 4) **Only Solar (Only Solar):** Only PV charging, without Mains charging. This is the most energy-efficient way in which battery is charged only by solar panels, and is usually used in areas with good lighting conditions.



3.2 Output mode

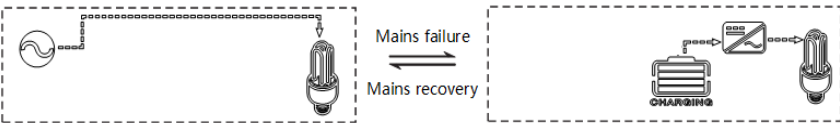
➤ PV priority mode:

Switch to mains supply when the PV charging fails. This mode maximizes the use of solar energy while maintaining battery power, suitable for use in the areas with relatively stable grid. **Power supply priority : Solar—» Utility—» Battery.**



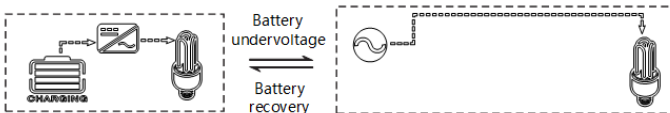
➤ Mains priority mode:

Switch to inverter only when the mains fails (when there was mains power, switch to mains power for charging and power supply). Then, the unit is equivalent to a backup UPS, suitable for areas with unstable grid. Switching does not affect PV charging. **Power supply priority : Utility—» Solar—» Battery.**



➤ Battery priority mode:

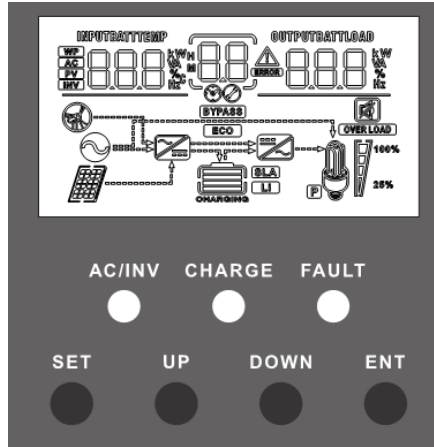
Switch to mains supply only when the battery discharge undervoltage is lower than the set point (item 04). When the charging battery is higher than the set point of (05 setting item), switch to the battery discharge mode. This can cycle the battery charge and discharge. This mode maximizes the use of DC power and is used in the area with stable grid. Switching does not affect PV charging. **Power supply priority : Solar—» Battery—» Utility.**



4. LCD screen operating instructions

4.1 Operation and display panel

The operation and display panel is as shown below, including 1 LCD screen, 3 indicators and 4 operation buttons.














Operation buttons introduction

| Function buttons | Description |
|------------------|--|
| SET | Enter/Exit Settings menu |
| UP | Previous choice |
| DOWN | Next choice |
| ENT | Confirm/Enter Options under the settings menu, |

Indicators introduction

| Indicators | Colors | Description |
|------------|--------|----------------------------|
| AC/INV | Yellow | Steady on: Mains output |
| | | Flash: Inverter output |
| CHARGE | Green | Flash: Fast charging |
| | | Steady on: Floating charge |
| FAULT | Red | Flash : Fault state |

| | | | |
|--|---|---|---|
| CHARGING | Indicates that the battery is in charging state | ERROR | Indicates that the machine is in a fault condition |
|  | Indicates that the AC/PV charging circuit is working |  | Indicates that the machine is in setup mode |
|  | Indicates that the AC output terminal has an AC voltage output |  | The parameters displayed in the middle of the screen: 1. In the non-setup mode, the alarm or fault code is displayed. 2. In the setup mode, the currently set parameter item code is displayed. |
|  | In parallel operation, this icon indicates that this inverter is the host, which is only valid in parallel mode. | | |
| Parameters display on the left side of the screen: input parameters | | | |
|  | Indicates AC input | | |
|  | Indicates PV input | | |
|  | Indicates inverter circuit | | |
|  | This icon is not displayed | | |
|  | Display battery voltage, battery charge total current, mains charge power, AC input voltage, AC input frequency, PV input voltage, internal heat sink temperature, software version | | |
| Parameters display on the right side of the screen: Output parameters | | | |
|  | Indicates output voltage, output current, output active power, output apparent power, battery discharge current, software version; in setup mode, displays the set parameters under the currently set parameter item code | | |
| Arrow display | | | |
| ① | The arrow is not displayed | ⑤ | Indicates the charging circuit charging the battery terminal |
| ② | Indicates the grid supplying power to the load | ⑥ | The arrow is not displayed |
| ③ | Indicates grid supplying power to the charging circuit | ⑦ | Indicates the battery terminal supplying power to the inverter circuit |
| ④ | Indicates PV module supplying power to the charging circuit | ⑧ | Indicates the inverter circuit supplying power to the load |

Real-time data viewing method

On the LCD main screen, press the “UP” and “DOWN” buttons to scroll through the real-time data of the machine.

| Page | Parameters on the left side of the screen | Parameters in the middle of the screen | Parameters on the right side of the screen |
|------|---|--|--|
| 1 | INPUT BATT V (Battery input voltage) | Fault code | OUTPUT LOAD V (Output load voltage) |
| 2 | BMS BATT V (BMS battery voltage , This parameter is valid when BMS is enabled) | | BMS BATT SOC (BMS Percentage of remaining BMS battery capacity This parameter is valid when BMS is enabled) |
| 3 | PV TEMP °C (PV charger heatsink temperature) | | PV OUTPUT KW (PV output power) |
| 4 | PV INPUT V (PV input voltage) | | PV OUTPUT A (PV output current) |
| 5 | INPUT BATT A (Input battery current) | | OUTPUT BATT A (Battery output current) |
| 6 | INPUT BATT KW (Battery input power) | | OUTPUT BATT KW (Battery output power) |
| 7 | AC INPUT Hz (AC input frequency) | | AC OUTPUT LOAD Hz (AC output frequency) |
| 8 | AC INPUT V (AC input voltage) | | AC OUTPUT LOAD A (AC output load current) |
| 9 | INPUT V (For maintain) | | OUTPUT LOAD KVA (Load apparent power) |
| 10 | INV TEMP °C (AC charge or battery discharge heatsink temperature) | | INV OUTPUT LOAD KW (Load active power) |
| 11 | APP software version | | Bootloader software version |
| 12 | Model Battery Voltage Rating | | Model Output Power Rating |
| 13 | Model PV Voltage Rating | | Model PV Current Rating |
| 14 | RS485 Address Number | | Phase Sequence Number |

4.2 Setup parameters description

Buttons operation instructions: Press the “SET” button to enter the setup menu and exit the setup menu. After entering the setup menu, the parameter number [00] will flash. At this point, press the “UP” and “DOWN” buttons to select the code of parameter item to be set. Then, press the “ENT” button to enter the parameter editing mode, and the value of the parameter is flashing. Adjust the value of the parameter with the “UP” and “DOWN” buttons. Finally, press the “ENT” button to complete the parameter editing and return to the parameter selection state.

Note: in parallel mode, all machines will synchronize the setting parameters of the host (the machine with "P" is displayed on the display screen) before startup. After startup, the setting parameters of any machine will be synchronized to other machines in the system

| Parameter no. | Parameter name | Settings | Description |
|---------------|------------------------|--------------------------|--|
| 00 | Exit setting menu | [00] ESC | Exit the setup menu |
| 01 | Output source priority | [01] SOL | PV priority mode, switching to the Mains when the PV fails or the battery is lower than the set value of parameter [04]. |
| | | [01] UTI default | Mains priority mode, switching to inverter only when the mains fails. |
| | | [01] SBU | Battery priority mode. Switch to mains power only when the battery is under voltage or lower than the setting value of parameter [04]; Switch to battery discharge only when the battery is fully charged or higher than the setting value of parameter [05]. |
| 02 | Output Frequency | [02] 50.0 default | Bypass self-adaptation; when the mains is connected, it automatically adapts to the mains frequency; when the mains is disconnected, the output frequency can be set through this menu. The default output frequency of the 230V machine is 50HZ, and the 120V machine 60HZ. |
| | | [02] 60.0 | |
| 03 | AC Input Voltage Range | [03] APL | Wide mains input voltage range of 230V machine: 90~280V |
| | | [03] UPS default | Narrow mains input voltage range of 230V machine: 170~280V |

| Parameter no. | Parameter name | Settings | Description |
|---------------|-----------------------------------|---------------------------|---|
| 04 | Battery Power to Utility Setpoint | [04] 43.6V default | When the parameter [01] =SBU, the battery voltage is lower than the set value, and the output is switched from the inverter to the mains. Setting range: 40V~52V. |
| 05 | Utility to Battery Power Setpoint | [05]57.6V default | When the parameter [01] =SBU, the battery voltage is higher than the set value, and the output is switched from the mains to the inverter. Setting range: 48V~60V. |
| 06 | Charger source priority | [06] CSO | PV priority charging; only when the PV charging fails, the mains charging is started. |
| | | [06] CUB | Mains priority charging; only when the mains charging fails, the PV charging is started. |
| | | [06] SNU default | PV and Mains hybrid charging; PV charging is a priority, and when the PV energy is insufficient, the Mains charging supplements. When the PV energy is sufficient, the Mains charging stops. Note: Only when the Mains bypass output is loaded, the PV charging and the mains charging can work at the same time. When the inverter works, only the PV charging can be started. |
| | | [06] OSO | Only PV charging, with the Mains charging not activated. |
| 07 | Max charger current | [07] 60A default | Max charger current (AC charger+PV charger). S series model : setting range 0~80A ; |
| 08 | Battery Type | [08] USE | User-defined; all battery parameters can be set. |
| | | [08] SLd | Sealed lead-acid battery; constant-voltage charge voltage: 57.6V, floating charge voltage: 55.2V. |
| | | [08] FLd | Vented lead-acid battery; constant-voltage charge voltage: 58.4V, floating charge voltage: 55.2V. |
| | | [08] GEL default | Colloidal lead-acid battery; constant-voltage charge voltage: 56.8V, floating charge voltage: 55.2V. |

| Parameter no. | Parameter name | Settings | Description |
|---------------|--|------------------------------|--|
| | | [08] L14/L15/L16 | LFP battery L14/L15/L16, corresponding to 14strings ,15 strings and 16 strings of LFP battery; for 16 strings, default constant-voltage charge voltage is 56.8V; for 15 strings, default constant-voltage charge voltage is 53.2V; for 14 strings, default constant-voltage charge voltage is 49.2V; allow adjustable. |
| | | [08] N13/N14 | Ternary lithium battery; which is adjustable. |
| 09 | Battery boost charge voltage | [09] 56.8V default | Boost charge voltage setting; the setting range is 48V~58.4V, with step of 0.4V; it is valid for user-defined battery and lithium battery. |
| 10 | Battery boost charge time | [10] 120 default | Boost charge maximum time setting, which means the maximum charging time to reach the set voltage of parameter [09] during constant-voltage charging. The setting range is 5min~900min, with a step of 5 minutes. It is valid for user-defined battery and lithium battery. |
| 11 | Battery floating charge voltage | [11] 55.2V default | Floating charge voltage, setting range: 48V~58.4V, step: 0.4V, valid when battery type is user-defined. |
| 12 | Battery over discharge voltage (delay off) | [12] 42V default | Over-discharge voltage; when the battery voltage is lower than this judgment point, delay the time set by parameter [13] and turn off inverter output. Setting range is 40V~48V, with a step of 0.4V. It is valid for user-defined battery and lithium battery. |
| 13 | Battery over discharge delay time | [13] 5S default | Over-discharge delay time; when the battery voltage is lower than the parameter [12], the inverter output will be turned off after the time set by this parameter is delayed. The setting range is 5S~55S, with a step of 5S. It is valid for user-defined battery and lithium battery. |
| 14 | Battery under voltage alarm | [14] 44V default | Battery undervoltage alarm point; when the battery voltage is lower than the point, an undervoltage alarm is given, and the output is not turned off; the setting range is 40V~52V, |

| Parameter no. | Parameter name | Settings | Description |
|---------------|----------------------------------|---------------------------|---|
| | | | with a step of 0.4V. It is valid for user-defined battery and lithium battery. |
| 15 | Battery discharge limit voltage | [15] 40V default | Battery discharge limit voltage; when the battery voltage is lower than the point, the output is turned off immediately; the setting range is 40V~52V, with a step of 0.4V. It is valid for user-defined battery and lithium battery. |
| 16 | Battery equalization enable | [16] DIS | Equalizing charge is disabled |
| | | [16] ENA default | Equalizing charge is enabled, only valid for vented lead-acid battery and sealed lead-acid battery |
| 17 | Battery equalization voltage | [17] 58.4V default | Equalizing charge voltage; setting range: 48V~58.4V, with a step of 0.4V; valid for vented lead-acid battery and sealed lead-acid battery |
| 18 | Battery equalized time | [18] 120 default | Equalizing charge time; setting range: 5min~900min, with a step of 5 minutes; valid for vented lead-acid battery and sealed lead-acid battery |
| 19 | Battery equalized time out | [19] 120 default | Equalizing charge delay; setting range: 5min~900min, with a step of 5 minutes; valid for vented lead-acid battery and sealed lead-acid battery |
| 20 | Battery equalization interval | [20] 30 default | Equalizing charge derating time, 0~30days, with a step of 1 day; valid for vented lead-acid battery and sealed lead-acid battery |
| 21 | Battery equalization immediately | [21] DIS default | Stop equalizing charge immediately. |
| | | [21] ENA | Start equalizing charge immediately. |
| 22 | Power saving mode | [22] DIS default | Power saving mode disabled. |
| | | [22] ENA | After the power saving mode is enabled, if the load is null or less than 50W, the inverter output is turned off after a delay for a certain period of time. When the load is more than 50W, the inverter automatic restart. |

| Parameter no. | Parameter name | Settings | Description |
|---------------|---|-------------------------|---|
| 23 | Restart when over load | [23] DIS | Automatic restart when overload is disabled. If an overload occurs and the output is turned off, the machine will not restart. |
| | | [23] ENA default | Automatic restart when overload is enabled. If an overload occurs and the output is turned off, the machine will restart after a delay of 3 minutes. After it reaches 5 cumulative times, the machine will not restart. |
| 24 | Restart when over temperature | [24] DIS | Automatic restart when over temperature is disabled. If an over-temperature shutdown occurs, machine will not restart to turn the output on. |
| | | [24] ENA default | Automatic restart when over temperature is enabled. If an over-temperature shutdown occurs, the machine will restart when the temperature drops. |
| 25 | Alarm enable | [25] DIS | Alarm is disabled |
| | | [25] ENA default | Alarm is enabled |
| 26 | Beeps while primary source is interrupted | [26] DIS | Alarm beep is disabled when the status of the main input source changes |
| | | [26] ENA default | Alarm beep is enabled when the status of the main input source changes |
| 27 | Bypass output when over load | [27] DIS | It is disabled to automatically switch to the Mains when the inverter is overloaded. |
| | | [27] ENA default | It is enabled to automatically switch to the Mains when the inverter is overloaded. |
| 28 | Max AC charger current | [28]60A default | S series model : Max AC charger current. Setting range: 0~60A ; 60A default . |
| 29 | Split Phase | [29] DIS default | Supply for industrial frequency transformer (disabled) |
| | | [29] ENA | Supply for industrial frequency transformer (enabled) |
| 30 | Model ID setting | [30] 1 default | RS485 address number. Parallel mode needs to be set in the range of 1-6. When the power is first turned on, it will be automatically distributed |

| Parameter no. | Parameter name | Settings | Description |
|---------------|--|---|--|
| 31 | AC output mode (can be set in the standby mode only) | [31] SIG default | When single inverter is used, the default is SIG mode. |
| | | [31] PAL | In parallel operation with single phase. Please refer to 2.4 Wiring Diagram. |
| | | [31] 3P1/3P2/3P3 | In split phase operation with three phase. At least one inverter is required for each phase. Please refer to 2.4 Wiring Diagram. |
| | | When the parameter [38] setting item=230 . All connected P1-phase inverters are set to "3P1" ; All connected P2-phase inverters are set to "3P2" ; All connected P3-phase inverters are set to "3P3" ; AC output line voltage difference is 120 degrees (L1-L2/L1-L3/L2-L3), each line voltage is $230 \times 1.732 = 398\text{Vac}$; Each phase voltage is 230Vac (L1-N; L2-N; L3-N). | |
| 32 | RS485-1 communication | [32]SLA default | RS485-2 port for PC or telecommunication control. |
| | | [32]BMS | RS485-2 port for BMS communication. |
| 33 | Battery BMS communication | When the parameter [32] setting item = BMS , you can choose to match the battery manufacturer's BMS protocol to communicate with BMS for the lithium battery protection. | |
| | | PAC=PACE , RDA=Ritar , AOG=ALLGRAND BATTERY , OLT=OLITER , HWD=SUNWODA , DAQ=DAKING , WOW=SRNE , PYL=PYLONTECH , UOL=WEILAN | |
| 35 | Battery undervoltage recovery point | [35] 52V default | When the battery voltage is under voltage, the battery voltage needs to recover more than this set value before the inverter starts the output |
| 36 | Max PV charger current | [36] 80A default | Max PV charger current. Setting range: 0~80A |
| 37 | Battery fully charged recovery point | [37] 52V default | After the battery is fully charged, it needs to be lower than this set voltage before it can be recharged |
| 38 | AC output voltage setting (only can be set in the standby mode) | [38]230Vac default | 230V default Allow to set to 200/208/220/230/240Vac. The rated output power will be reduced= (Power Rate)*(Vset/230) |

4.3 Battery type parameters

For Lead-acid Battery :

| Battery type Parameters | Sealed lead acid battery (SLD) | Colloidal lead acid battery (GEL) | Vented lead acid battery (FLD) | User-defined (User) |
|--|---------------------------------|-----------------------------------|--------------------------------|-------------------------------------|
| Overvoltage disconnection voltage | 60V | 60V | 60V | 36 ~ 60V (Adjustable) |
| Battery fully charged recovery point(setup item 37) | 52V (Adjustable) | 52V (Adjustable) | 52V (Adjustable) | 52V (Adjustable) |
| Equalizing charge voltage | 58.4V | 56.8V | 59.2V | 36 ~ 60V (Adjustable) |
| Boost charge voltage | 57.6V | 56.8V | 58.4V | 36 ~ 60V (Adjustable) |
| Floating charge voltage | 55.2V | 55.2V | 55.2V | 36 ~ 60V (Adjustable) |
| Undervoltage alarm voltage(01 fault) | 44V | 44V | 44V | 36 ~ 60V (Adjustable) |
| Undervoltage alarm voltage recovery point(01 fault) | Undervoltage alarm voltage+0.8V | | | |
| Low voltage disconnection voltage(04 fault) | 42V | 42V | 42V | 36 ~ 60V (Adjustable) |
| Low voltage disconnection voltage recovery point (04 fault)(setup item 35) | 52V (Adjustable) | 52V (Adjustable) | 52V (Adjustable) | 52V (Adjustable) |
| Discharge limit voltage | 40V | 40V | 40V | 36 ~ 60V (Adjustable) |
| Over-discharge delay time | 5s | 5s | 5s | 1 ~ 30s (Adjustable) |
| Equalizing charge duration | 120 minutes | - | 120 minutes | 0 ~ 600 minutes (Adjustable) |
| Equalizing charge interval | 30 days | - | 30 days | 0 ~ 250 days (Adjustable) |
| Boost charge duration | 120 minutes | 120 minutes | 120 minutes | 10 ~ 600 minutes (Adjustable) |

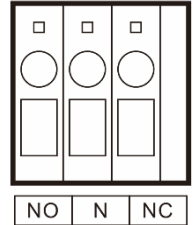
For Lithium Battery :

| Battery type Parameters | Ternary lithium battery (N13) | Ternary lithium battery (N14) | LFP battery (L16) | LFP battery (L15) | LFP battery (L14) |
|--|---------------------------------|-------------------------------|-----------------------------|-----------------------------|-----------------------------|
| Overvoltage disconnection voltage | 60V | 60V | 60V | 60V | 60V |
| Battery fully charged recovery point(setup item 37) | 50.4V (Adjustable) | 54.8V (Adjustable) | 53.6V (Adjustable) | 50.4V (Adjustable) | 47.6V (Adjustable) |
| Equalizing charge voltage | 53.2V (Adjustable) | 57.6V (Adjustable) | 56.8V (Adjustable) | 53.2V (Adjustable) | 49.2V (Adjustable) |
| Boost charge voltage | 53.2V (Adjustable) | 57.6V (Adjustable) | 56.8V (Adjustable) | 53.2V (Adjustable) | 49.2V (Adjustable) |
| Floating charge voltage | 53.2V (Adjustable) | 57.6V (Adjustable) | 56.8V (Adjustable) | 53.2V (Adjustable) | 49.2 (Adjustable) |
| Undervoltage alarm voltage(01 fault) | 43.6V (Adjustable) | 46.8V (Adjustable) | 49.6V (Adjustable) | 46.4V (Adjustable) | 43.2V (Adjustable) |
| Undervoltage alarm voltage recovery point(01 fault) | Undervoltage alarm voltage+0.8V | | | | |
| Low voltage disconnection voltage(04 fault) | 38.8V (Adjustable) | 42V (Adjustable) | 48.8V (Adjustable) | 45.6V (Adjustable) | 42V (Adjustable) |
| Low voltage disconnection voltage recovery point (04 fault)(setup item 35) | 46V (Adjustable) | 49.6V (Adjustable) | 52.8V (Adjustable) | 49.6V (Adjustable) | 46V (Adjustable) |
| Discharge limit voltage | 36.4V | 39.2V | 46.4V | 43.6V | 40.8V |
| Over-discharge delay time | 30s (Adjustable) | 30s (Adjustable) | 30s (Adjustable) | 30s (Adjustable) | 30s (Adjustable) |
| Boost charge duration | 120 minutes (Adjustable) | 120 minutes (Adjustable) | 120 minutes (Adjustable) | 120 minutes (Adjustable) | 120 minutes (Adjustable) |

5. Other functions

5.1 Dry contact

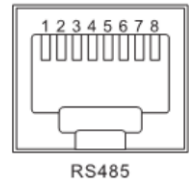
Working principle: This dry contact can control the ON/OFF of the diesel generator to charge the battery. ① Normally, the terminals are that the NC-N point is closed and the NO-N point is open; ② When the battery voltage reaches the low voltage disconnection point, the relay coil is energized, and the terminals turn to that the NO-N point is closed while NC-N point is open. At this point, NO-N point can drive resistive loads: 125VAC/1A, 230VAC/1A, 30VDC/1A.



5.2 RS485 communication port

This port is an RS485 communication port which comes with two functions:

- ① RS485-2 allows direct communication with the optional host computer developed by our company through this port, and enables monitoring of the equipment running status and setting of some parameters on the computer;
- ② RS485-1/RS485-2 also allows direct connection with the optional RS485 to WiFi/GPRS communication module developed by our company through this port. After the module is selected, you can connect the all-in-one solar charge inverter through the mobile phone APP, on which you can view the operating parameters and status of the device.



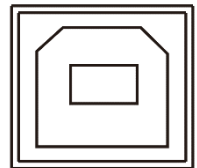
As shown in the figure:

RS485-1: Pin 1 is 5V power supply, Pin 2 is GND, Pin 7 is RS485-A1, and Pin 8 is RS485-B1;

RS485-2: Pin 1 is 5V power supply, Pin 2 is GND, Pin 7 is RS485-A2, and Pin 8 is RS485-B2;

5.3 USB communication port

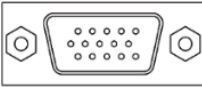
This is a USB communication port, which can be used for USB communication with the optional PC host software. To use this port, you should install the corresponding "USB to serial chip CH340T driver" in the computer.



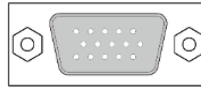
5.4 Parallel communication function (parallel operation only)

- a) This port is used for parallel communication, through which the parallel modules can communicate with each other.
- b) Each inverter has two DB15 ports, one for the male connector and the other for the female connector.
- c) When connecting, make sure to connect the male connector of the inverter with the female connector of the inverter to be paralleled, or connect the female connector of the inverter to the male connector of the inverter to be paralleled.
- d) Do not connect the male connector of the inverter to its female connector.

Female connector

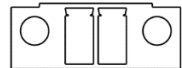


Male connector



5.5 Current sharing detection function (parallel operation only)

- a) This port is used for current sharing detection, through which the current sharing of the parallel modules can be detected (parallel operation only).
- b) Each inverter has two current sharing detection ports, which are connected in parallel. When it is connected to other models to be paralleled, either port can be connected for convenience. There is no special mandatory wiring requirements.



6. Protection

6.1 Protections provided

| No. | Protections | Description |
|-----|---------------------------------------|---|
| 1 | PV current/power limiting protection | When charging current or power of the PV array configured exceeds the PV rated, it will charge at the rated. |
| 2 | PV night reverse-current protection | At night, the battery is prevented from discharging through the PV module because the battery voltage is greater than the voltage of PV module. |
| 3 | Mains input over voltage protection | When the mains voltage exceeds 280V, the mains charging will be stopped and switched to the inverter mode. |
| 4 | Mains input under voltage protection | When the mains voltage is lower than 170V (230V model /UPS mode), the mains charging will be stopped and switched to the inverter mode. |
| 5 | Battery over voltage protection | When the battery voltage reaches the overvoltage disconnection point, the PV and the mains will be automatically stopped to charge the battery to prevent the battery from being overcharged and damaged. |
| 6 | Battery low voltage protection | When the battery voltage reaches the low voltage disconnection point, the battery discharging will be automatically stopped to prevent the battery from being over-discharged and damaged. |
| 7 | Load output short circuit protection | When a short-circuit fault occurs at the load output terminal, the AC output is immediately turned off and turned on again after 1 second. |
| 8 | Heat sink over temperature protection | When the internal temperature is too high, the all-in-one machine will stop charging and discharging; when the temperature returns to normal, charging and discharging will resume. |
| 9 | Overload protection | Output again 3 minutes after an overload protection, and turn the output off after 5 consecutive times of overload protection until the machine is re-powered. For the specific overload level and duration, refer to the technical parameters table in the manual. |
| 10 | PV reverse polarity protection | When the PV polarity is reversed, the machine will not be damaged. |

| | | |
|----|--|---|
| 11 | AC reverse protection | Prevent battery inverter AC current from being reversely input to Bypass. |
| 12 | Bypass over current protection | Built-in AC input overcurrent protection circuit breaker. |
| 13 | Battery input over current protection | When the discharge output current of the battery is greater than the maximum value and lasts for 1 minute, the AC input would switched to load. |
| 14 | Battery input protection | When the battery is reversely connected or the inverter is short-circuited, the battery input fuse in the inverter will blow out to prevent the battery from being damaged or causing a fire. |
| 15 | Charge short protection | When the external battery port is short-circuited in the PV or AC charging state, the inverter will protect and stop the output current. |
| 16 | CAN communication loss protection | In parallel operation, an alarm will be given when CAN communication is lost. |
| 17 | Parallel connection error protection | In parallel operation, the equipment will be protected when the parallel line is lost. |
| 18 | Parallel battery voltage difference protection | In parallel operation, the equipment will be protected when the battery connection is inconsistent and the battery voltage is greatly different from that detected by the host. |
| 19 | Parallel AC voltage difference protection | In parallel operation, the equipment will be protected when the AC IN input connection is inconsistent. |
| 20 | Parallel current sharing fault protection | In parallel operation, the running equipment will be protected when the load difference of each inverter is large due to improper connection of current sharing line or device damage. |
| 21 | Synchronization signal fault protection | The equipment will be protected when there is a fault in the guidance signal between parallel buses, causing inconsistent behavior of each inverter. |

6.2 Fault code

| Fault code | Fault name | Whether it affects the output or not | Description |
|-------------------|-------------------|---|---|
| [01] | BatVoltLow | NO | Battery undervoltage alarm |
| [02] | BatOverCurrSw | Yes | Battery discharge average current overcurrent software protection |
| [03] | BatOpen | Yes | Battery not-connected alarm |
| [04] | BatLowEod | Yes | Battery undervoltage stop discharge alarm |
| [05] | BatOverCurrHw | Yes | Battery overcurrent hardware protection |
| [06] | BatOverVolt | Yes | Charging overvoltage protection |
| [07] | BusOverVoltHw | Yes | Bus overvoltage hardware protection |
| [08] | BusOverVoltSw | Yes | Bus overvoltage software protection |
| [09] | PvVoltHigh | No | PV overvoltage protection |
| [10] | PvBoostOCSw | No | Boost overcurrent software protection |

| | | | |
|-------------|------------------|-----|---|
| 【11】 | PvBoostOCHw | No | Boost overcurrent hardware protection |
| 【12】 | bLineLoss | No | Mains power down |
| 【13】 | OverloadBypass | Yes | Bypass overload protection |
| 【14】 | OverloadInverter | Yes | Inverter overload protection |
| 【15】 | AcOverCurrHw | Yes | Inverter overcurrent hardware protection |
| 【17】 | InvShort | Yes | Inverter short circuit protection |
| 【19】 | OverTemperMppt | No | Buck heat sink over temperature protection |
| 【20】 | OverTemperInv | Yes | Inverter heat sink over temperature protection |
| 【21】 | FanFail | Yes | Fan failure |
| 【22】 | EEPROM | Yes | Memory failure |
| 【23】 | ModelNumErr | Yes | Model setting error |
| 【26】 | RlyShort | Yes | Inverted AC Output Backfills to Bypass AC Input |

| | | | |
|-------------|--------------------|-----|---|
| [29] | BusVoltLow | Yes | Internal battery boost circuit failure |
| [30] | BatCapacityLow1 | No | Alarm given when battery capacity rate is lower than 10% (setting BMS to enable validity) |
| [31] | BatCapacityLow2 | No | Alarm given when battery capacity rate is lower than 5% (setting BMS to enable validity) |
| [32] | BatCapacityLowStop | Yes | Inverter stops when battery capacity is low (setting BMS to enable validity) |
| [34] | CanCommFault | Yes | CAN communication fault in parallel operation |
| [35] | ParaAddrErr | Yes | Parallel ID setting error |
| [36] | - | - | - |
| [37] | ParaShareCurrErr | Yes | Parallel current sharing fault |
| [38] | ParaBattVoltDiff | Yes | Large battery voltage difference in parallel mode |
| [39] | ParaAcSrcDiff | Yes | Inconsistent AC input source in parallel mode |
| [40] | ParaHwSynErr | Yes | Hardware synchronization signal error in parallel mode |
| [41] | InvDcVoltErr | Yes | Inverter DC voltage error |

| | | | |
|-------------|------------------------------------|-----|--|
| [42] | SysFwVersionDiff | Yes | Inconsistent system firmware version in parallel mode |
| [43] | ParaLineContErr | Yes | Parallel line connection error in parallel mode |
| [44] | Serial number error | YES | If the serial number is not set by omission in production, please contact the manufacturer to set it |
| [45] | Error setting of splitphase mode | YES | [31] Settings item setting error |
| [58] | BMS communication error | NO | Check whether the communication line is connected correctly and whether [33] is set to the corresponding lithium battery communication protocol |
| [59] | BMS alarm | NO | Check the BMS fault type and troubleshoot battery problems |
| [60] | BMS battery low temperature alarm | NO | BMS alarm battery low temperature |
| [61] | BMS battery over temperature alarm | NO | BMS alarm battery over temperature |
| [62] | BMS battery over current alarm | NO | BMS alarm battery over current |
| [63] | BMS low battery talarm | NO | BMS alarm low battery |
| [64] | BMS battery over voltage alarm | NO | BMS alarm battery over voltage |

6.3 Handling measures for part of faults

| Fault code | Faults | Remedy |
|----------------------------|--|---|
| Display | No display on the screen | Check if the battery the PV air switch has been closed; if the switch is in the "ON" state; press any button on the screen to exit the screen sleep mode. |
| [06] | Battery overvoltage protection | Measure if the battery voltage exceeds rated, and turn off the PV array air switch and Mains air switch. |
| [01] [04] | Battery undervoltage protection | Charge the battery until it returns to the low voltage disconnection recovery voltage. |
| [21] | Fan failure | Check if the fan is not turning or blocked by foreign object. |
| [19] [20] | Heat sink over temperature protection | When the temperature of the device is cooled below the recovery temperature, normal charge and discharge control is resumed. |
| [13] [14] | Bypass overload protection, inverter overload protection | ① Reduce the use of power equipment; ② Restart the unit to resume load output. |
| [17] | Inverter short circuit protection | ① Check the load connection carefully and clear the short-circuit fault points; ② Re-power up to resume load output. |
| [09] | PV overvoltage | Use a multimeter to check if the PV input voltage exceeds the maximum allowable input voltage rated. |
| [03] | Battery disconnected alarm | Check if the battery is not connected or if the battery circuit breaker is not closed. |
| [40] [43] | Parallel connection fault | Check whether the parallel line is not connected well, such as loose or wrong connection. |
| [35] | Parallel ID setting error | Check whether the setting of parallel ID number is repeated. |
| [37] | Parallel current sharing fault | Check whether the parallel current sharing line is not connected well, such as loose or wrong connection. |
| [39] | Inconsistent AC input source in parallel mode | Check whether the parallel AC inputs are from the same input interface. |
| [42] | Inconsistent system firmware version in parallel mode | Check whether the software version of each inverter is consistent. |

7.Troubleshooting

- **In order to maintain the best long-term performance, it is recommended to conduct following checks twice a year.**
 1. Make sure that the airflow around the unit is not blocked and remove any dirt or debris from the heat sink.
 2. Check that all exposed wires are damaged by exposure to sunlight, friction with other objects around them, dryness, bite by insects or rodents, etc., and the wires shall be repaired or replaced if necessary.
 3. Verify for the consistency of indication and display with the operation of the device. Please pay attention to the display of any faults or errors, and take corrective actions if necessary.
 4. Check all wiring terminals for corrosion, insulation damage, signs of high temperature or burning/discoloration, and tighten the screws.
 5. Check for dirt, nesting insects and corrosion, and clean up as required.
 6. If the arrester has failed, replace in time to prevent lightning damage to the unit or even other equipment of the user.

Warning: Danger of electric shock! When doing the above operations, make sure that all power supplies of the all-in-one machine have been disconnected, and all capacitors have been discharged, and then check or operate accordingly!

- **The company does not assume any liability for damage caused by:**
 - ① Improper use or use in improper site.
 - ② Open circuit voltage of the PV module exceeds the maximum allowable voltage rated.
 - ③ Temperature in the operating environment exceeds the limited operating temperature range.
 - ④ Disassemble and repair the all-in-one solar charge inverter without permission.
 - ⑤ Force majeure: Damage that occurs in transportation or handling of the all-in-one solar charge inverter.

8. Technical parameters

| Models | BSM-5500BLV-48DA |
|---------------------------------------|--|
| Parallel mode | |
| Permitted parallel number | 1~6 |
| AC mode | |
| Rated input voltage | 220/230Vac |
| Input voltage range | (170Vac~280Vac) $\pm 2\%$ (90Vac-280Vac) $\pm 2\%$ |
| Frequency | 50Hz/ 60Hz (Auto detection) |
| Frequency Range | 47 \pm 0.3Hz ~ 55 \pm 0.3Hz (50Hz); 57 \pm 0.3Hz ~ 65 \pm 0.3Hz (60Hz); |
| Overload/short circuit protection | Circuit breaker |
| Efficiency | >95% |
| Conversion time (bypass and inverter) | 10ms (typical) |
| AC reverse protection | Available |
| Maximum bypass overload current | 40A |
| Inverter mode | |
| Output voltage waveform | Pure sine wave |
| Rated output power (VA) | 5500 |
| Rated output power (W) | 5500 |
| Power factor | 1 |
| Rated output voltage (Vac) | 230Vac |
| Output voltage error | $\pm 5\%$ |
| Output frequency range (Hz) | 50Hz \pm 0.3Hz 60Hz \pm 0.3Hz |
| Maximum Efficiency | >92% |
| Overload protection | (102% < load <125%) $\pm 10\%$: report error and turn off the output after 5 minutes; (125% < load < 150%) $\pm 10\%$: report error and turn off the output after 10 seconds; Load >150% $\pm 10\%$: report error and turn off the output after 5 seconds |

| | |
|--|--|
| Peak power | 10000VA |
| Loaded motor capability | 4HP |
| Rated battery input voltage | 48V (Minimum starting voltage 44V) |
| Battery voltage range | Undervoltage alarm/shutdown voltage/overvoltage alarm /overvoltage recovery... settable on LCD screen) |
| Power saving mode self-consumption | Load \leq 50W |
| AC charging | |
| Battery type | Lead acid or lithium battery |
| Maximum charge current(can be set) | 0-60A |
| Charge current error | \pm 3Adc |
| Charge voltage range | 40 –58Vdc |
| Short circuit protection | Circuit breaker and blown fuse |
| Circuit breaker specifications | 40A |
| Overcharge protection | Alarm and turn off charging after 1 minute |
| PV charging | |
| Maximum PV open circuit voltage | 500Vdc |
| PV operating voltage range | 120-500Vdc |
| MPPT voltage range | 120-450Vdc |
| Battery voltage range | 40-60Vdc |
| Maximum PV input power | 6000W |
| Maximum PV input current | 22A |
| PV charging current range (can be set) | 0-80A |
| Charging short circuit protection | Blown fuse |
| Wiring protection | Reverse polarity protection |
| Hybrid charging Max charger current specifications (AC charger+ PV charger) | |
| Max charger current(can be set) | 0-80A |

| Certified specifications | |
|---------------------------------|---|
| Operating temperature range | -10°C to 55°C |
| Storage temperature range | -25°C ~ 60°C |
| Humidity range | 5% to 95% (Conformal coating protection) |
| Noise | ≤60dB |
| Heat dissipation | Forced air cooling, variable speed of fan |
| Communication interface | USB/RS485(WiFi/GPRS)/Dry contact control |
| Dimension (L*W*D) | 426mm*322mm*124mm |
| Weight | 10.5kg |



- **Google browser**, scan the QR code to download the APP
- In the Google Play Store, search for "**SmartESS**" to download and install